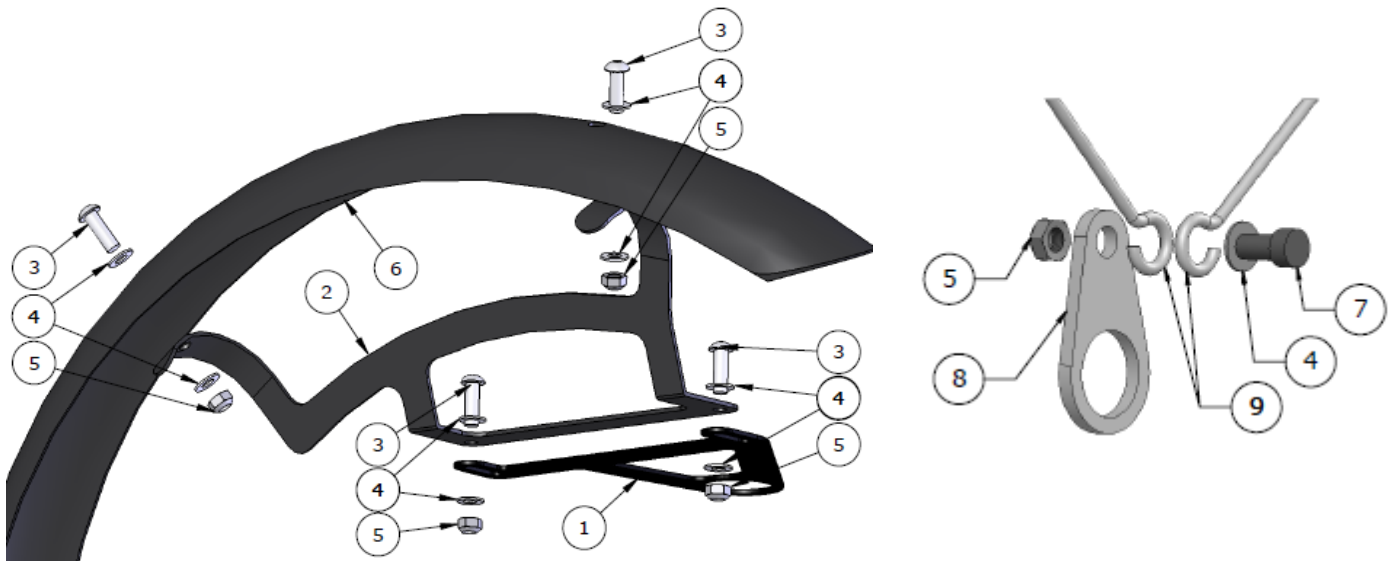




Big Cat HPV, LLC
 720 Business Park Blvd. Ste. 22
 Winter Garden, FL 34787

Front Fender Set

PART NUMBER	PART NAME	QTY	COMMENTS
1	FLAT BRACKET	2	
2	FRONT FENDER MOUNT	2	1 LEFT, 1 RIGHT
3	M5X10 BUTTON HEAD SCREW	8	
4	M5 FLAT WASHER	22	
5	M5 NYLON LOCK NUT	10	
6	PLANET BIKE FRONT FENDER	2	2 FRONT
7	M5X16 SHCS	2	16mm LONG SOCKET HEAD SCREW
8	AXLE MOUNT BRACKET	2	
9	WIRE FENDER STAYS	4	



1. Assemble front fenders as shown, leaving the button head screws attaching Flat Bracket (Part 1) and Front Fender Mount (Part 2) loose.

2. Remove the headset cap and install the fender mount on top of the handlebar and below the headset cap.

3. Center the fender over the wheel and tighten the M5 screws left loose in step 1.

4. Assemble the Axle Mount Bracket to the Wire Stays as shown in the assembly diagram.

5. Install the Axle Mount Bracket by removing the nut on the quick release axle. Install the Bracket between the Dust Cap (conical washer) and the axle nut.

6. Attach the fender stays to the fender and tighten.

Repeat steps for both sides.

